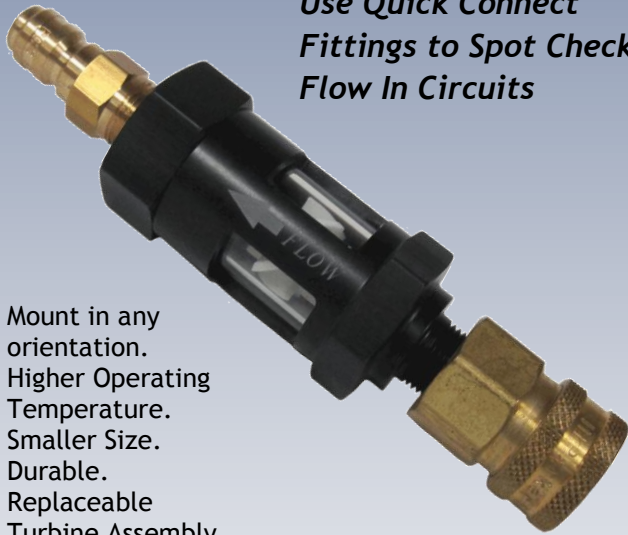


Rugged Anodized Aluminum Body



Available in NPT, BSPT, and BSPP

**Use Quick Connect
Fittings to Spot Check
Flow In Circuits**



- ✓ Mount in any orientation.
- ✓ Higher Operating Temperature.
- ✓ Smaller Size.
- ✓ Durable.
- ✓ Replaceable Turbine Assembly.
- ✓ Affordable!

Affordable Solution for All Kinds of Applications



CITO PRODUCTS, INC.

Introducing the NEW,

MINIFLOW™

Fashioned from CITO's highly successful RotoFlow™ product line, the MiniFlow™ allows for visual flow indication in a smaller footprint. MiniFlow™ gives you compact visual flow indicator that can be used in many applications where the RotoFlow™ just won't fit.

When you need to quickly verify that you have flow in a circuit, this is the device. Small, compact, and priced affordably! Rugged anodized 6061-T6 Aluminum body, Duran™ glass sight window, Stainless Steel turbine shaft, Nylon turbine indicator, and EPDM o-rings. Available in 3/8" or 1/4" NPT, BSPT, or BSPP to meet whatever your specifications require.



MiniFlow™ is intended for providing visual indication of liquid flow. It can be applied in a variety of applications and environments. Pressure rated at 125 psi and burst tested to over 800 psi. Temperature rated at 210°F the MiniFlow™ can be used in places the RotoFlow can't.



www.pulsecooling.com

N8779 Highway X

PO Box 90

Watertown WI 53094 USA

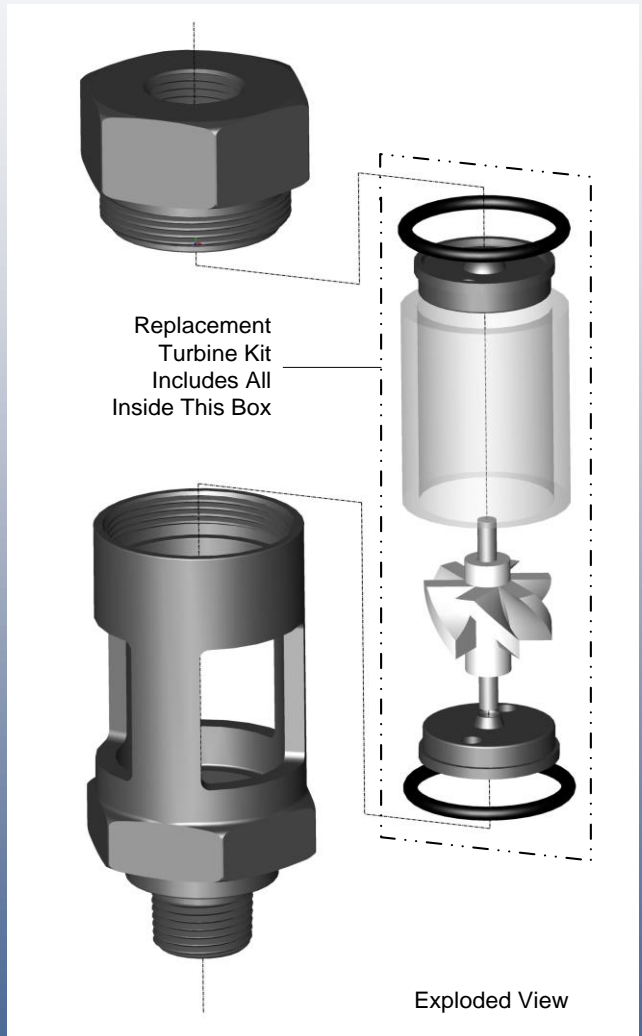
920-261-2606 Fax: 920-261-1350

sales@pulsecooling.com

MF-B-2-A

**RUGGED
DEPENDABLE
SMALLER FOOTPRINT
VALUE PRICED**

MINIFLOW™

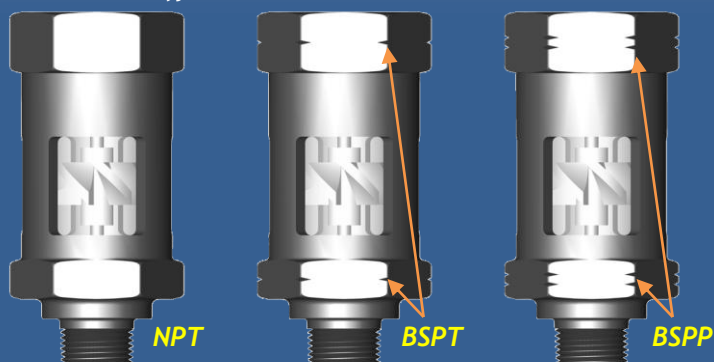


MiniFlow™ Ordering Information and Part Numbers		
MiniFlow™ Stock Number	Pipe Sizing	Flow Rates
MF-0404-N	¼" NPT Fittings	.1 to 6.5 GPM
MF-0404-N-R	¼" NPT Fittings	.1 to 6.5 GPM Reverse Flow
MF-0606-N	¾" NPT Fittings	.1 to 7.0 GPM
MF-0606-N-R	¾" NPT Fittings	.1 to 7.0 GPM Reverse Flow
MF-0404-T	¼" BSPT Fittings	.1 to 6.5 GPM
MF-0404-T-R	¼" BSPT Fittings	.1 to 6.5 GPM Reverse Flow
MF-0606-T	¾" BSPT Fittings	.1 to 7.0 GPM
MF-0606-T-R	¾" BSPT Fittings	.1 to 7.0 GPM Reverse Flow
MF-0404-P	¼" BSPP Fittings	.1 to 6.5 GPM
MF-0404-P-R	¼" BSPP Fittings	.1 to 6.5 GPM Reverse Flow
MF-0606-P	¾" BSPP Fittings	.1 to 7.0 GPM
MF-0606-P-R	¾" BSPP Fittings	.1 to 7.0 GPM Reverse Flow
MTA-6050	Replacement Turbine Assembly	O-Rings, Glass, End Caps, Shaft, and Turbine Included.

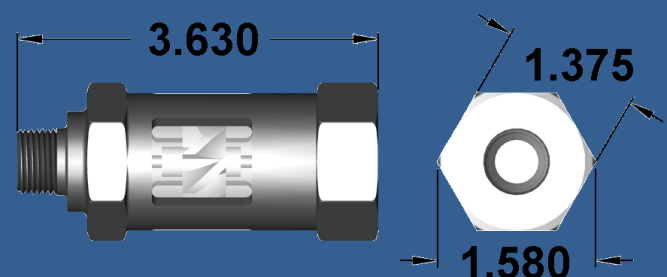
MiniFlow™ Physical Specifications	
Physical Property	Rating
Operating Pressure	125 psi (8.6 Bar)
Operating Temperature	210°F (99°C)
Height	3.63" (92.20mm)
Max Diameter	1.75" (44.45mm)
Hex Flat Dimension	1.375" (34.93mm)
Flow Coefficient C _v	0.67

Product Identification:

MiniFlows™ have an easily recognizable system to identify thread type. Look for the notches on both ends to identify.



Physical Size



This Product Is Proudly Made In USA