

Inline™ Manifolds Ordering Information

Mold Mounted Manifolds provide many benefits to the operation and performance of the water cooled process. Our manifolds offer a myriad of combinations to suit your needs.

STANDARD MANIFOLDS

1. Choose your manifold from the following pages.
2. Stock Manifolds will ship same day if order is received before 2 p.m. CT.

WHEN ORDERING CUSTOM MANIFOLDS

1. Submit design or sketch.
2. Cito will make CAD drawing and submit via fax with price quote and delivery information.
3. Upon approval of drawing, the manifold will be shipped the following monday.

TO ORDER YOUR DESIGN KIT FOR INLINE MANIFOLDS

Our Design Kit will assist in your mold or machine mounted design of Inline™ Manifolds — complete with CAD Patterns, and custom order forms.

Please contact our Sales Department
CITO PRODUCTS INC.

N8779 County Road X • P.O. Box 90
Watertown, WI 53094 • USA

Phone: (920) 261-2606

Fax: (920) 261-1350

E-mail: sales@pulsecooling.com

ATTENTION: SALES DEPARTMENT

Please specify which CAD system you are using when requesting your Design Kit.

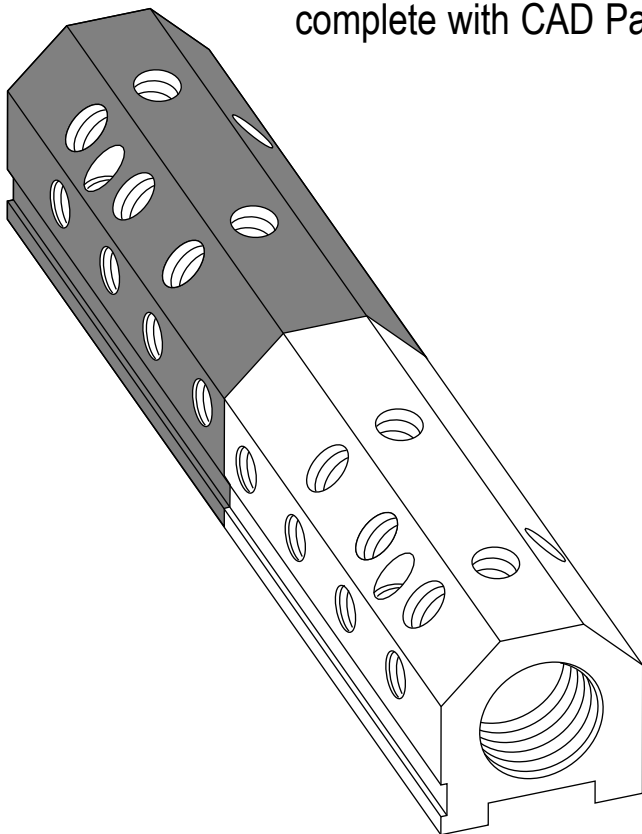
The Design Kit is available in:

.PRT (CadKey)

.DWG (AutoCad)

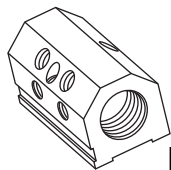
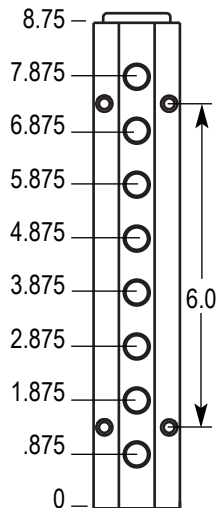
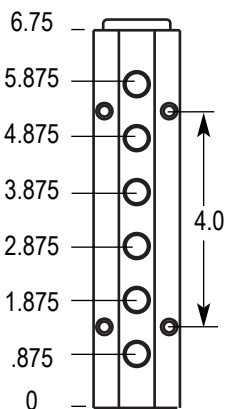
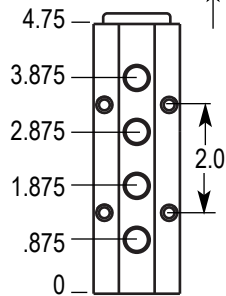
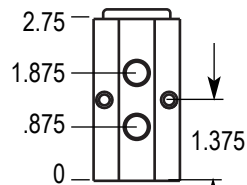
.DXF (Data Exchange Format)

.IGES (International Graphic Exchange)

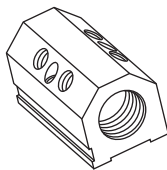


The anodized aluminum is not suitable for corrosive liquids (high chlorine content)

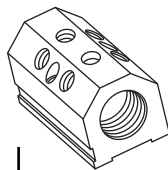
3/4" Inline™ Manifold



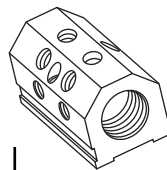
IM3-2-AB-4
1/8 or 1/4
\$43.00



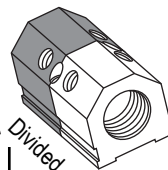
IM3-2-BD-4
1/8 or 1/4
\$43.00



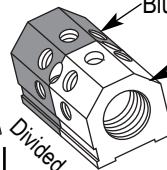
IM3-2-BCD-6
1/8 or 1/4
\$49.00



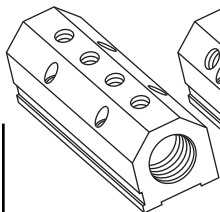
IM3-2-ABC-6
1/8 or 1/4
\$49.00



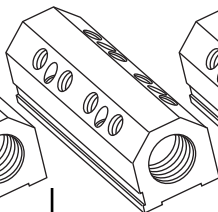
IM3-2-BD-2-2
1/8 or 1/4
\$59.00



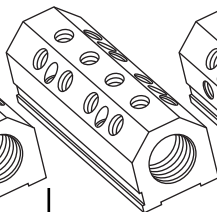
IM3-2-ABCDE-5-5
1/8
\$77.00



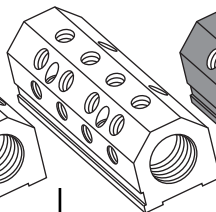
IM3-4-C-4
1/8 or 1/4
\$53.00



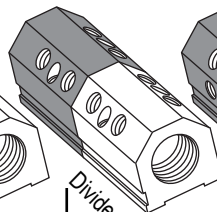
IM3-4-BD-8
1/8 or 1/4
\$65.00



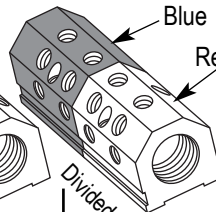
IM3-4-BCD-12
1/8 or 1/4
\$77.00



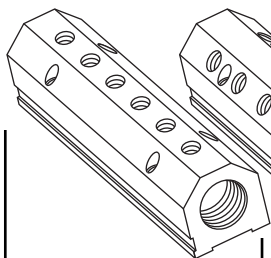
IM3-4-ABC-12
1/8 or 1/4
\$77.00



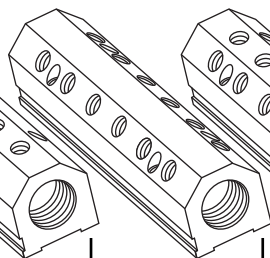
IM3-4-BD-4-4
1/8 or 1/4
\$81.00



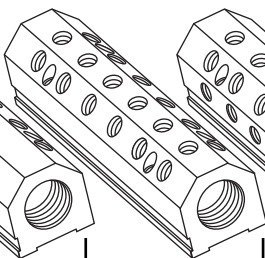
IM3-4-ABC-6-6
1/8 or 1/4
\$93.00



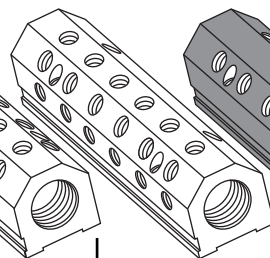
IM3-6-C-6
1/8 or 1/4
\$69.00



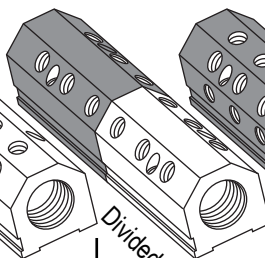
IM3-6-BD-12
1/8 or 1/4
\$87.00



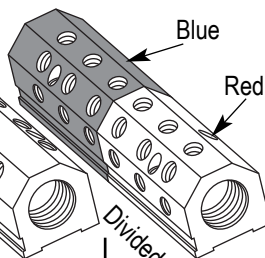
IM3-6-BCD-18
1/8 or 1/4
\$105.00



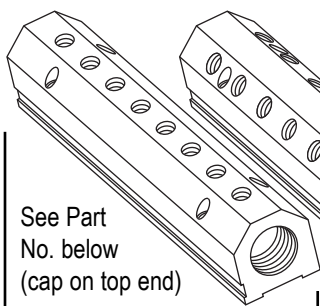
IM3-6-ABC-18
1/8 or 1/4
\$105.00



IM3-6-BD-6-6
1/8 or 1/4
\$103.00

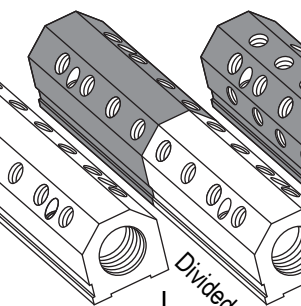


IM3-6-ABC-9-9
1/8 or 1/4
\$121.00

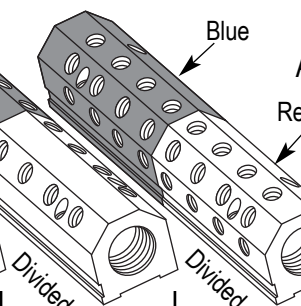


See Part No. below (cap on top end)

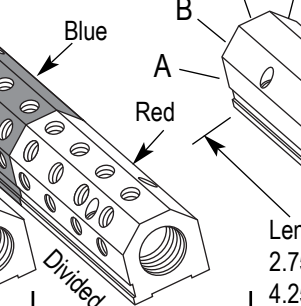
IM3-8-C-8
1/8 or 1/4
\$85.00



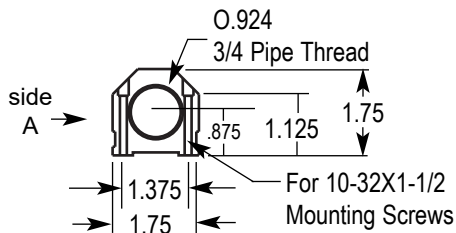
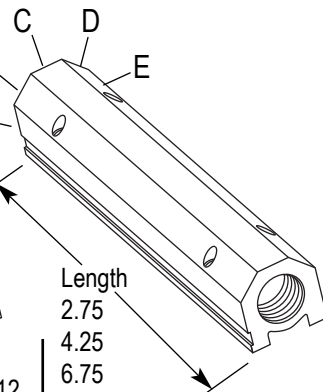
IM3-8-BD-16
1/8 or 1/4
\$109.00



IM3-8-BD-8-8
1/8 or 1/4
\$125.00

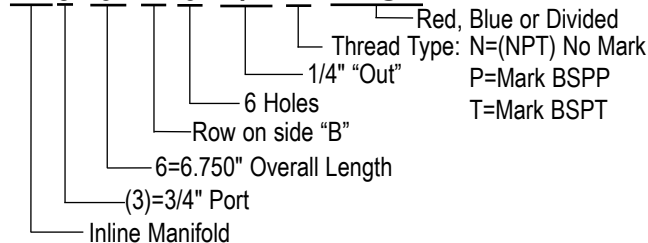


IM3-8-ABC-12-12
1/8
\$149.00

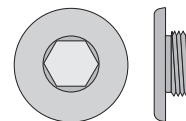


PART NUMBER CODE:

IM3-6-B-6-1/4-N-BLUE



3/4" NPT



For Solid Color Manifolds
PRICES INCLUDE: End Cap and Stainless 10 - 32 x 1-1/2" SHCS.
ADDITIONAL 3/4" MANIFOLD END CAPS: IM-8630 - \$6.00ea.
CUSTOM MANIFOLDS QUOTED UPON REQUEST

The anodized aluminum is not suitable for corrosive liquids (high chlorine content)

1" Inline™ Manifold

IM4-4-AB-4 1/4 or 3/8 \$56.00	IM4-4-BD-4 1/4 or 3/8 \$56.00	IM4-4-BCD-6 1/4 or 3/8 \$62.00	IM4-4-ABC-6 1/4 or 3/8 \$62.00	IM4-4-BD-2-2 1/4 or 3/8 \$73.00	IM4-4-ABCDE-5-5 1/4 \$91.00
IM4-6-C-4 1/4 or 3/8 \$74.00	IM4-6-BD-8 1/4 or 3/8 \$86.00	IM4-6-BCD-12 1/4 or 3/8 \$98.00	IM4-6-ABC-12 1/4 or 3/8 \$98.00	IM4-6-BD-4-4 1/4 or 3/8 \$103.00	IM4-6-ABC-6-6 1/4 or 3/8 \$115.00
IM4-9-C-6 1/4 or 3/8 \$92.00	IM4-9-BD-12 1/4 or 3/8 \$110.00	IM4-9-BCD-18 1/4 or 3/8 \$128.00	IM4-9-ABC-18 1/4 or 3/8 \$128.00	IM4-9-BD-6-6 1/4 or 3/8 \$127.00	IM4-9-ABC-9-9 1/4 or 3/8 \$145.00
IM4-11-C-8 1/4 or 3/8 \$116.00	IM4-11-BD-16 1/4 or 3/8 \$140.00	IM4-11-BD-8-8 1/4 or 3/8 \$157.00	IM4-11-ABC-12-12 1/4 or 3/8 \$181.00	See Part No. below (cap on top end)	

PART NUMBER CODE:
IM4-9-B-6-3/8-N-BLUE

- Red, Blue or Divided
- Thread Type: N=(NPT) No Mark
- P=Mark BSPP
- T=Mark BSPT
- 3/8" "Out"
- 6 Holes
- Row on side "B"
- 9=8.75" Overall Length
- (4)x1/4"=1" Port
- Inline Manifold

1" NPT

For Solid Color Manifolds
PRICES INCLUDE: End Cap and Stainless 1/4 - 20 x 2"
ADDITIONAL 1" MANIFOLD END CAPS: IM-8640 - \$8.00ea.
CUSTOM MANIFOLDS QUOTED UPON REQUEST

The anodized aluminum is not suitable for corrosive liquids (high chlorine content)

1-1/2" Inline™ Manifold

Dimensions:

- Row 1: 6.0, 4.0, 2.0, 0, 3.0
- Row 2: 10.0, 8.0, 6.0, 4.0, 2.0, 0, 4.0
- Row 3: 14.0, 12.0, 10.0, 8.0, 6.0, 4.0, 2.0, 0, 8.0
- Row 4: 18.0, 16.0, 14.0, 12.0, 10.0, 8.0, 6.0, 4.0, 2.0, 0, 12.0

Manifold Part Numbers and Prices:

Part Number	Thread	Price
IM6-6-AB-4	3/8 or 1/2	\$83.00
IM6-6-BD-4	3/8 or 1/2	\$83.00
IM6-6-BCD-6	3/8 or 1/2	\$91.00
IM6-6-ABC-6	3/8 or 1/2	\$91.00
IM6-6-BD-2-2	3/8 or 1/2	\$103.00
IM6-6-ABCDE-5-5	3/8 or 1/2	\$127.00
IM6-10-C-4	3/8 or 1/2	\$111.00
IM6-10-BD-8	3/8 or 1/2	\$127.00
IM6-10-BCD-12	3/8 or 1/2	\$143.00
IM6-10-ABC-12	3/8 or 1/2	\$143.00
IM6-10-BD-4-4	3/8 or 1/2	\$147.00
IM6-10-ABC-6-6	3/8 or 1/2	\$163.00
IM6-14-C-6	3/8 or 1/2	\$147.00
IM6-14-BD-12	3/8 or 1/2	\$171.00
IM6-14-BCD-18	3/8 or 1/2	\$195.00
IM6-14-ABC-18	3/8 or 1/2	\$195.00
IM6-14-BD-6-6	3/8 or 1/2	\$191.00
IM6-14-ABC-9-9	3/8 or 1/2	\$215.00
IM6-18-C-8	3/8 or 1/2	\$183.00
IM6-18-BD-16	3/8 or 1/2	\$215.00
IM6-18-BD-8-8	3/8 or 1/2	\$235.00
IM6-18-ABC-12-12	3/8 or 1/2	\$267.00

Part Number Code:
IM6-14-B-6-3/8-N-BLUE

- IM6: Inline Manifold
- 14: 14" Overall Length
- B: Row on side "B"
- 6: 6 Holes
- 3/8: 3/8" "Out"
- N: Thread Type: N=(NPT) No Mark, P=Mark BSPP, T=Mark BSPT
- BLUE: Red, Blue or Divided

1-1/2" NPT
 For Solid Color Manifolds
PRICES INCLUDE: End Cap and Stainless 1/4" - 20 x 2-1/2" SHCS.
 ADDITIONAL 1-1/2" MANIFOLD END CAPS: IM-8660 - \$10.00ea.
CUSTOM MANIFOLDS QUOTED UPON REQUEST

The anodized aluminum is not suitable for corrosive liquids (high chlorine content)

2" Inline™ Manifold

IM8-8-ACE-6
1/2, 3/4 or 1
\$134.00

IM8-8-ABCDE-10
1/2 or 3/4
\$158.00

IM8-12-C-4
1/2, 3/4 or 1
\$154.00

IM8-12-BD-8
1/2, 3/4 or 1
\$178.00

IM8-12-ABC-12
1/2 or 3/4
\$202.00

IM8-12-ABC-6-6
1/2 or 3/4
\$228.00

IM8-17-C-6
1/2, 3/4 or 1
\$206.00

IM8-17-BD-12
1/2, 3/4 or 1
\$242.00

IM8-17-ABC-18
1/2 or 3/4
\$278.00

IM8-17-BD-6-6
1/2, 3/4 or 1
\$268.00

IM8-17-ABC-9-9
1/2 or 3/4
\$304.00

IM8-22-C-8
1/2, 3/4 or 1
\$258.00

IM8-22-BD-16
1/2, 3/4 or 1
\$306.00

IM8-22-BD-8-8
1/2, 3/4 or 1
\$332.00

IM8-22-ABC-12-12
1/2 or 3/4
\$380.00

PART NUMBER CODE:
IM8-17-C-6-1/2-N-BLUE

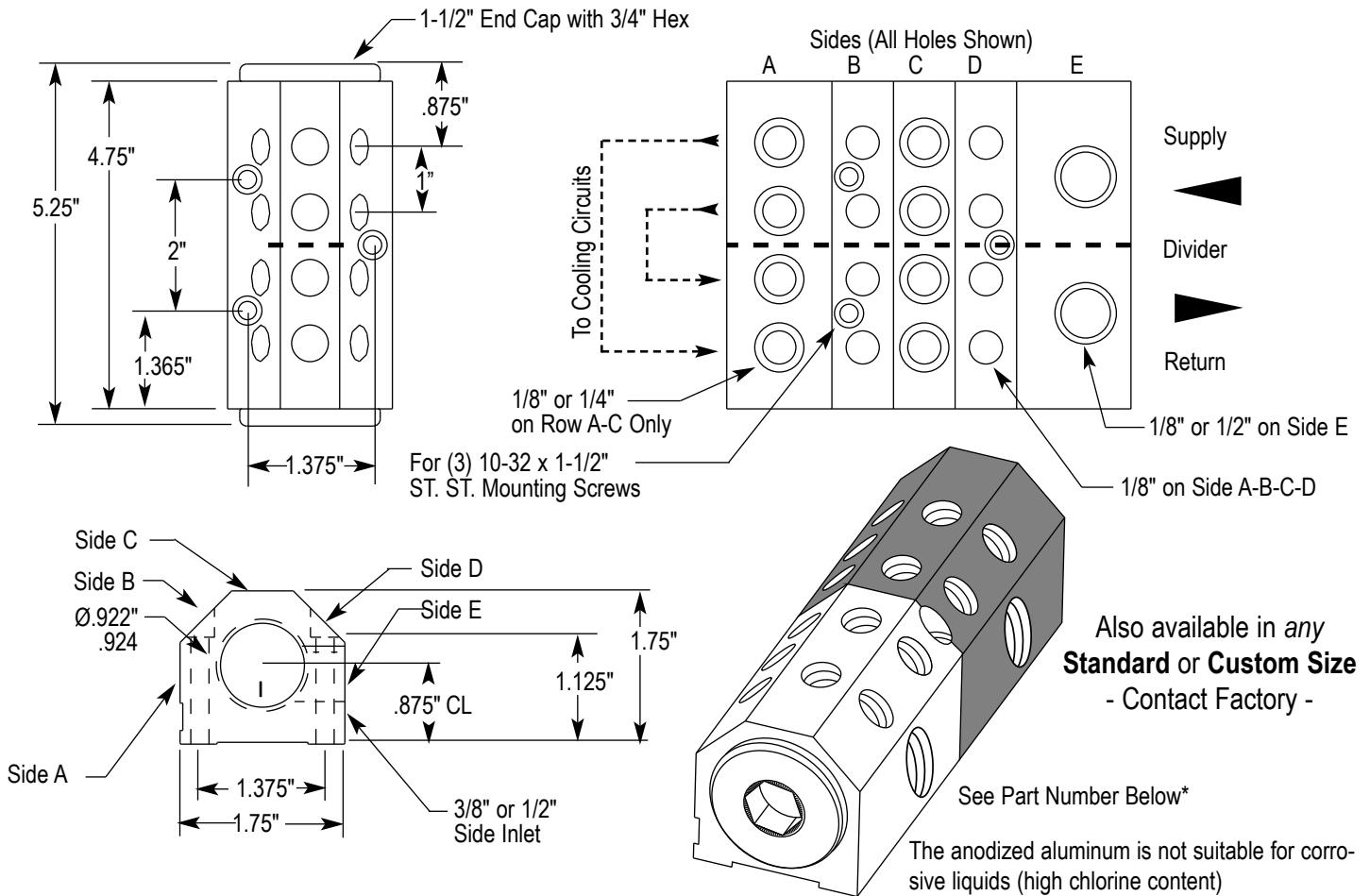
- Red, Blue or Divided
- Thread Type: N=(NPT) No Marking
- P=Mark BSPP
- T=Mark BSPT
- 1/2" "Out"
- 6 Holes
- Row on side "C"
- 17=17" Overall Length
- 2" Port (8"=8"x1/4"=2")

2" NPT

For Solid Color Manifolds
PRICES INCLUDE: End Cap and Stainless 1/4 - 20 x 3" SHCS.
ADDITIONAL 2" MANIFOLD END CAPS: IM-8680 - \$14.00ea.
CUSTOM MANIFOLDS QUOTED UPON REQUEST

The anodized aluminum is not suitable for corrosive liquids (high chlorine content)

3/4" x 5" Sideline™ Manifold

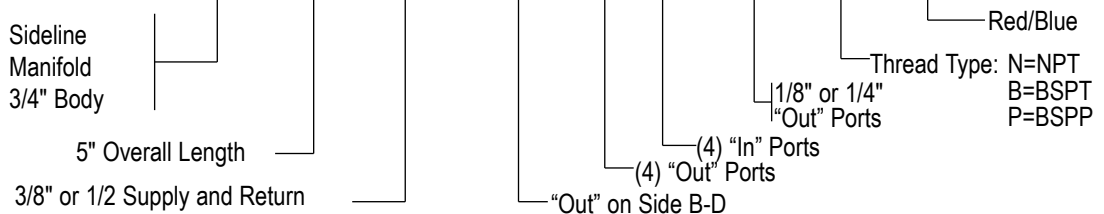


Outgoing Ports					Part Number	Price
Side A In/Out	Side B In/Out	Side C In/Out	Side D In/Out	Side E - Return In/Out		
	(2) (2) 1/8"-1/8"			3/8"-3/8"	IM3S-5-3/8-B-2-2-1/8-N-R/B	\$87.00
(2) (2) 1/8"-1/8"	(2) (2) 1/8"-1/8"			3/8"-3/8"	IM3S-5-3/8-AB-4-4-1/8-N-R/B	\$99.00
	(2) (2) 1/8"-1/8"		(2) (2) 1/8"-1/8"	3/8"-3/8"	*IM3S-5-3/8-BD-4-4-1/8-N-R/B	\$99.00
	(2) (2) 1/8"-1/8"	(2) (2) 1/8"-1/8"	(2) (2) 1/8"-1/8"	3/8"-3/8"	IM3S-5-3/8-BCD-6-6-1/8-N-R/B	\$111.00
(2) (2) 1/8"-1/8"	(2) (2) 1/8"-1/8"	(2) (2) 1/8"-1/8"	(2) (2) 1/8"-1/8"	3/8"-3/8"	IM3S-5-3/8-ABCD-8-8-1/8-N-R/B	\$123.00
	(2) (2) 1/4"-1/4"			1/2"-1/2"	IM3S-5-1/2-B-2-2-1/4-N-R/B	\$87.00
	(2) (2) 1/4"-1/4"		(2) (2) 1/4"-1/4"	1/2"-1/2"	IM3S-5-1/2-BD-4-4-1/4-N-R/B	\$99.00

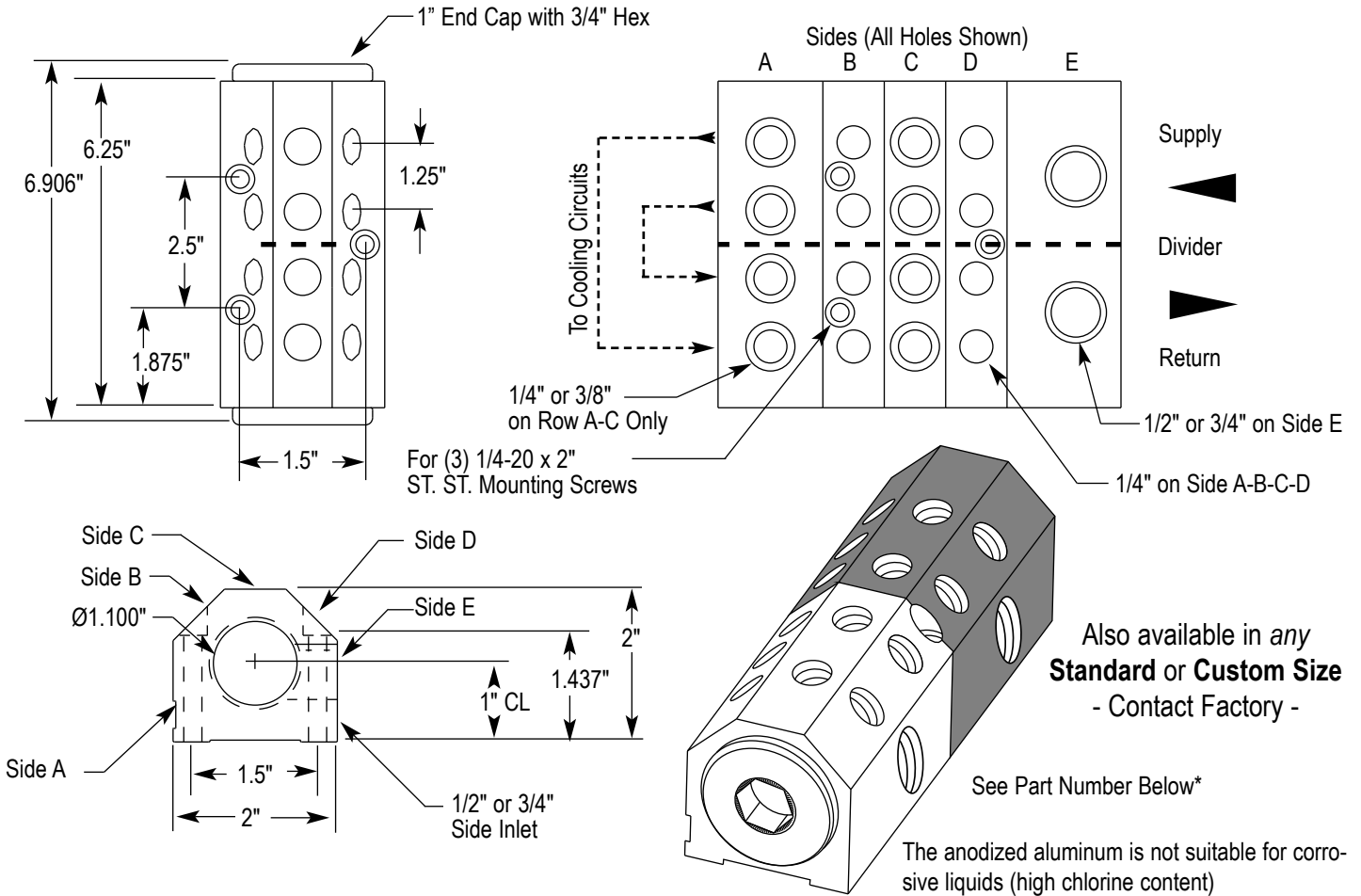
PRICE INCLUDES: End Caps and (3) 10-32 x 1-1/2" ST. ST. Mtg. Screws. ADDITIONAL 3/4" End Caps \$6.00 ea.

*Part Number Code:

IM3S-5-3/8-BD-4-4-1/8-N-R/B



1" x 7" Sideline™ Manifold

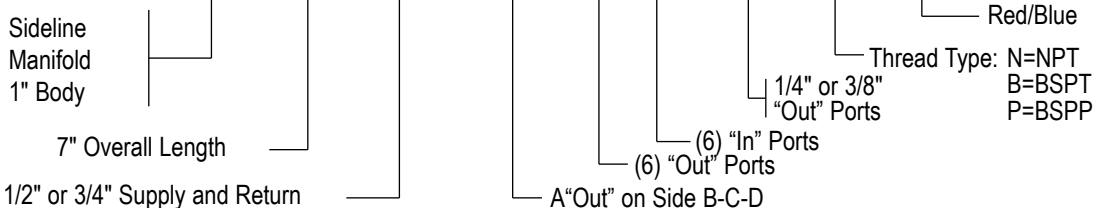


Outgoing Ports					Part Number	Price
Side A In/Out	Side B In/Out	Side C In/Out	Side D In/Out	Side E - Return In/Out		
	(2) (2) 1/4"-1/4"			1/2"-1/2"	IM4S-7-1/2-B-2-2-1/4-N-R/B	\$113.00
(2) (2) 1/4"-1/4"	(2) (2) 1/4"-1/4"			1/2"-1/2"	IM4S-7-1/2-AB-4-4-1/4-N-R/B	\$125.00
	(2) (2) 1/4"-1/4"		(2) (2) 1/4"-1/4"	1/2"-1/2"	IM4S-7-1/2-BD-4-4-1/4-N-R/B	\$125.00
	(2) (2) 1/4"-1/4"	(2) (2) 1/4"-1/4"	(2) (2) 1/4"-1/4"	1/2"-1/2"	*IM4S-7-1/2-BCD-6-6-1/4-N-R/B	\$137.00
(2) (2) 1/4"-1/4"	(2) (2) 1/4"-1/4"	(2) (2) 1/4"-1/4"	(2) (2) 1/4"-1/4"	1/2"-1/2"	IM4S-7-1/2-ABCD-8-8-1/4-N-R/B	\$149.00
	(2) (2) 3/8"-3/8"			3/4"-3/4"	IM4S-7-3/4-B-2-2-3/8-N-R/B	\$113.00
	(2) (2) 3/8"-3/8"		(2) (2) 3/8"-3/8"	3/4"-3/4"	IM4S-7-3/4-BD-4-4-3/8-N-R/B	\$125.00

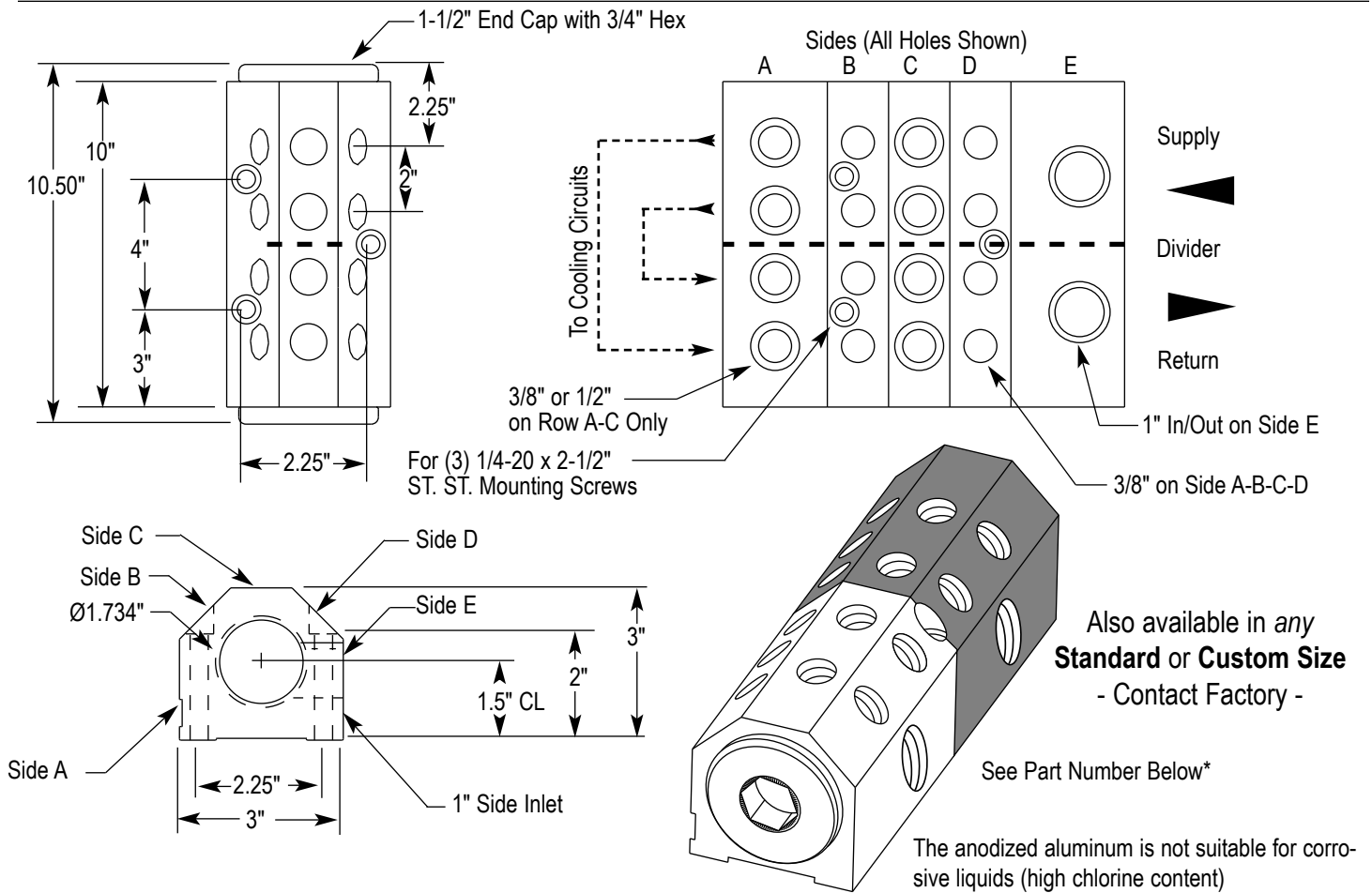
PRICE INCLUDES: End Caps and (3) 1/4-20x2" ST. ST. Mtg. Screws. ADDITIONAL 1" End Caps \$8.00 ea.

*Part Number Code:

IM4S-7-1/2-BCD-6-6-1/4-N-R/B



1-1/2" x 10" Sideline™ Manifold

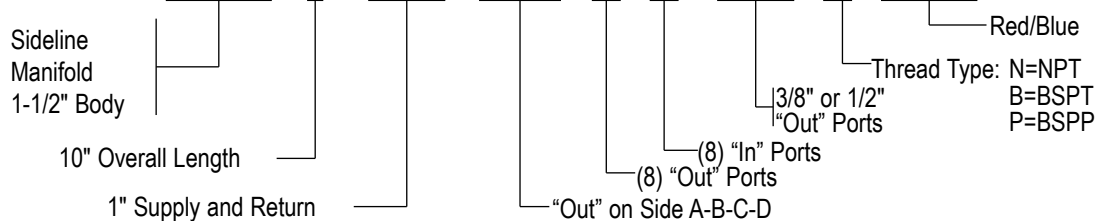


Outgoing Ports					Part Number	Price
Side A In/Out	Side B In/Out	Side C In/Out	Side D In/Out	Side E - Return In/Out		
	(2) (2) 3/8"-3/8"			1"-1"	IM6S-10-1-B-2-2-3/8-N-R/B	\$159.00
(2) (2) 3/8"-3/8"	(2) (2) 3/8"-3/8"			1"-1"	IM6S-10-1-AB-4-4-3/8-N-R/B	\$175.00
	(2) (2) 3/8"-3/8"		(2) (2) 3/8"-3/8"	1"-1"	IM6S-10-1-BD-4-4-3/8-N-R/B	\$175.00
	(2) (2) 3/8"-3/8"	(2) (2) 3/8"-3/8"	(2) (2) 3/8"-3/8"	1"-1"	IM6S-10-1-ABC-6-6-3/8-N-R/B	\$191.00
(2) (2) 3/8"-3/8"	(2) (2) 3/8"-3/8"	(2) (2) 3/8"-3/8"	(2) (2) 3/8"-3/8"	1"-1"	*IM6S-10-1-ABCD-8-8-3/8-N-R/B	\$207.00
	(2) (2) 1/2"-1/2"			1"-1"	IM6S-10-1-B-2-2-1/2-N-R/B	\$159.00
	(2) (2) 1/2"-1/2"		(2) (2) 1/2"-1/2"	1"-1"	IM6S-10-1-BD-4-4-1/2-N-R/B	\$175.00

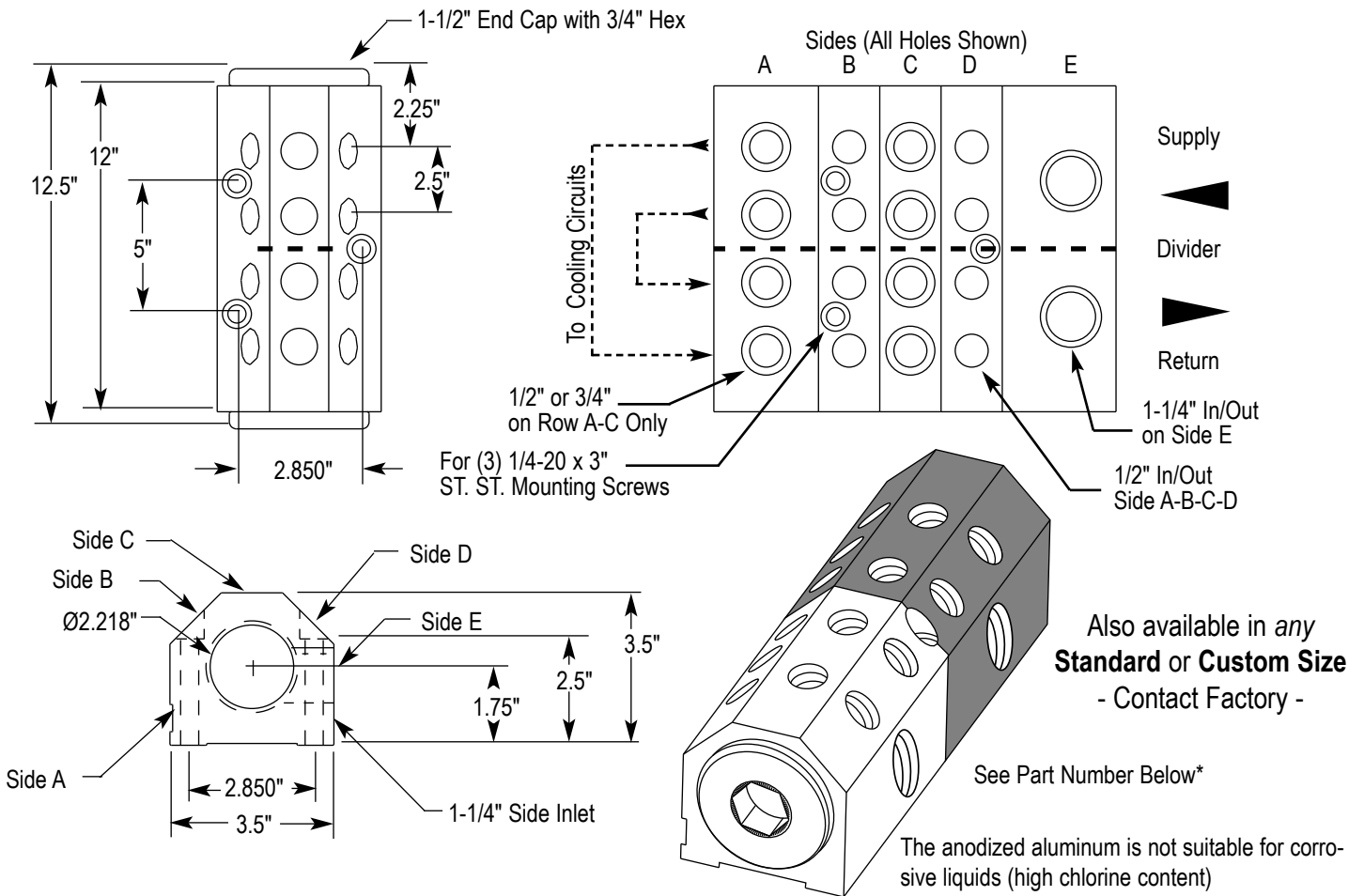
PRICE INCLUDES: End Caps and (3) 1/4-20 x 2-1/2" ST. ST. Mtg. Screws. ADDITIONAL 1-1/2" End Caps \$10.00 ea.

*Part Number Code:

IM6S - 10 - 1 - ABCD - 8 - 8 - 3/8 - N - R/B



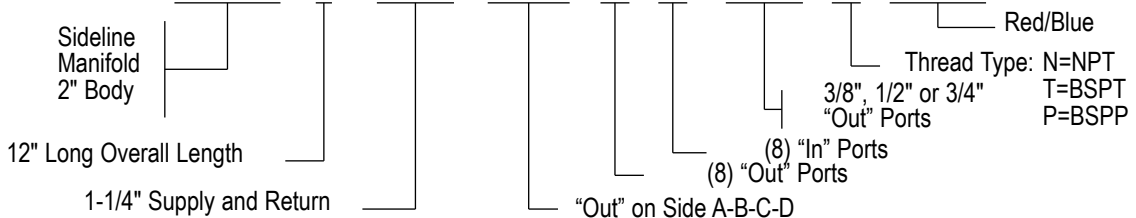
2" x 12" Sideline™ Manifold



Outgoing Ports					Part Number	Price
Side A In/Out	Side B In/Out	Side C In/Out	Side D In/Out	Side E - Return In/Out		
	(2) (2) 1/2"-1/2"			1-1/4"-1-1/4"	IM8S-12-1-1/4-B-2-2-1/2-N-R/B	\$220.00
(2) (2) 1/2"-1/2"	(2) (2) 1/2"-1/2"			1-1/4"-1-1/4"	IM8S-12-1-1/4-AB-4-4-1/2-N-R/B	\$244.00
	(2) (2) 1/2"-1/2"		(2) (2) 1/2"-1/2"	1-1/4"-1-1/4"	IM8S-12-1-1/4-BD-4-4-1/2-N-R/B	\$244.00
	(2) (2) 1/2"-1/2"	(2) (2) 1/2"-1/2"	(2) (2) 1/2"-1/2"	1-1/4"-1-1/4"	IM8S-12-1-1/4-BCD-6-6-1/2-N-R/B	\$268.00
(2) (2) 1/2"-1/2"	(2) (2) 1/2"-1/2"	(2) (2) 1/2"-1/2"	(2) (2) 1/2"-1/2"	1-1/4"-1-1/4"	*IM8S-12-1-1/4-ABCD-8-8-1/2-N-R/B	\$292.00
	(2) (2) 3/4"-3/4"			1-1/4"-1-1/4"	IM8S-12-1-1/4-B-2-2-3/4-N-R/B	\$220.00
	(2) (2) 3/4"-3/4"		(2) (2) 3/4"-3/4"	1-1/4"-1-1/4"	IM8S-12-1-1/4-BD-4-4-3/4-N-R/B	\$244.00

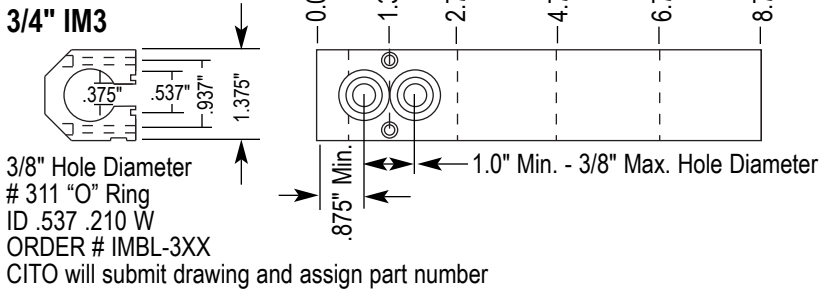
PRICE INCLUDES: End Caps and 1/4 - 20 x 3" ST. ST. Mtg. Screws. ADDITIONAL 2" End Caps \$14.00 ea.

*Part Number Code: **IM8S-12-1-1/4-ABCD-8-8-3/8-N-R/B**

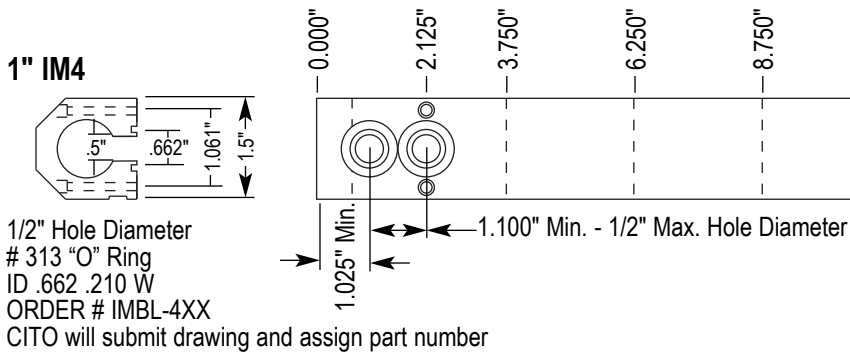


BottomLine™ Custom Mold Mounted Manifold

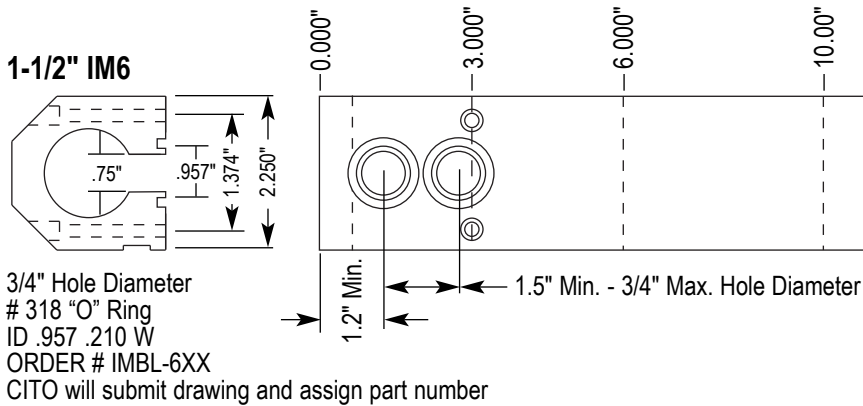
3/4" IM3



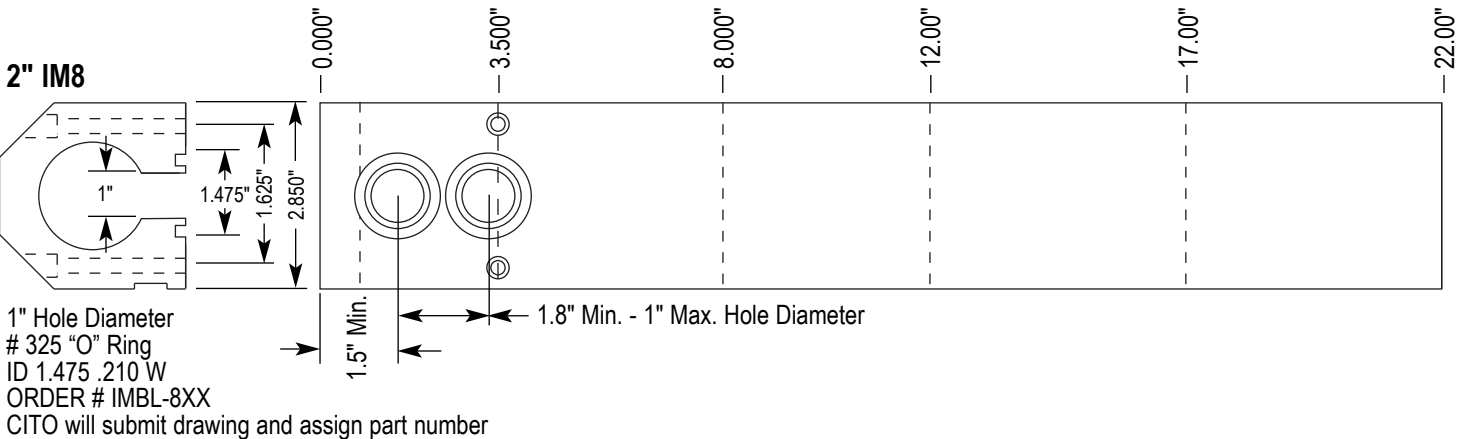
1" IM4



1-1/2" IM6



2" IM8



Submit your requirements for pricing and delivery

CITO PRODUCTS INC.

ATTENTION: SALES DEPARTMENT